

1 2 3 4 5 6 7 8

A

B

C

D

E

F

A

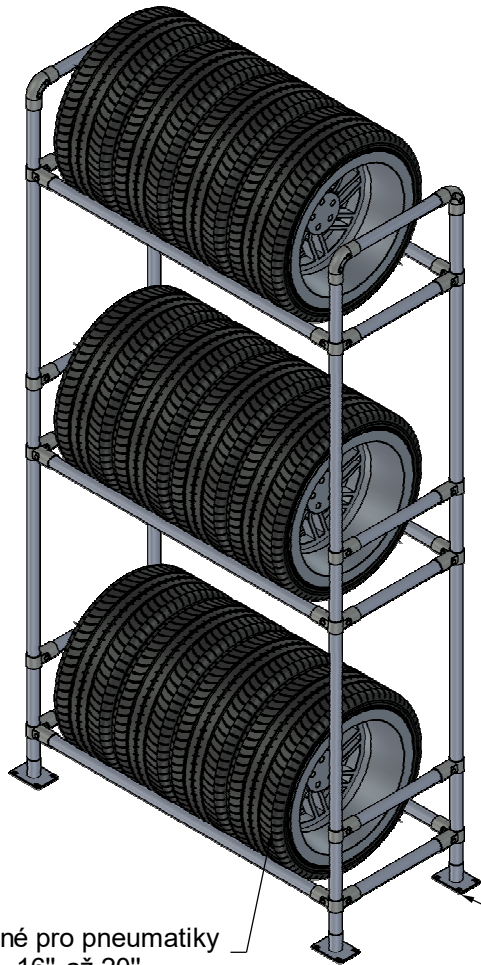
B

C

D

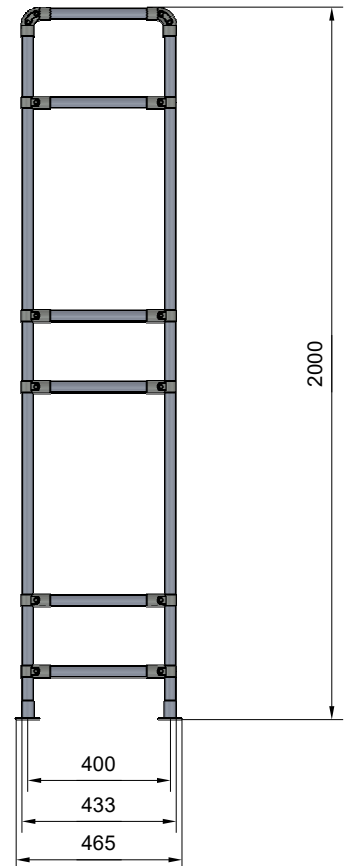
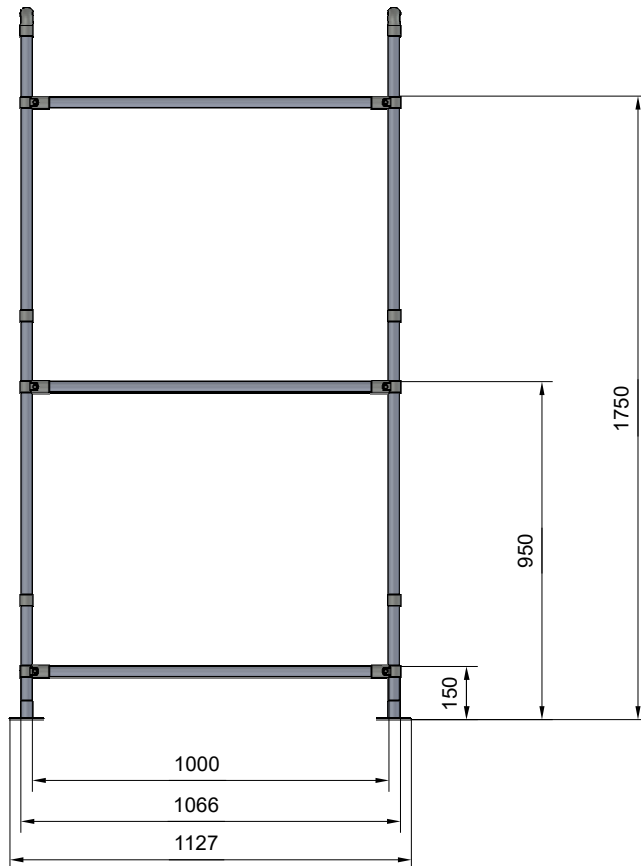
E

F



vhodné pro pneumatiky  
16" až 20"

kotvicí patky



Workshop accuracies for general tolerances - Tolerances for length and angle dimensions; DIN ISO 2768-1-v -Machining details and finish classification to DIN ISO 1302					
E	Total load capacity*: <b>300 kg</b> (Celková nosnost:*)		Load capacity - floor*: <b>100 kg</b> (nosnost na patro:*)		
	Scale	<b>A3</b>	Drawn Kempný	Checked	Dat. <b>04.09.2024</b>
Title <b>Enprag s.r.o.</b>			Sheet 1 of 1	Rev. A00	
Title <b>Stojan na pneumatiky</b>			Doc.Nr <b>24082633</b>		

This document is the sole property of Enprag s.r.o.  
and may not be copied, duplicated, used or given to  
third parties without the written permission from Enprag s.r.o.  
Misuse is subject to penalties and will be legally pursued

Tolerances for shape and condition:  
- DIN ISO 2768-2-K  
Tolerancing:  
- DIN 7167

1 2 3 4 5 6 7 8