

1 2 3 4 5 6 7 8

A

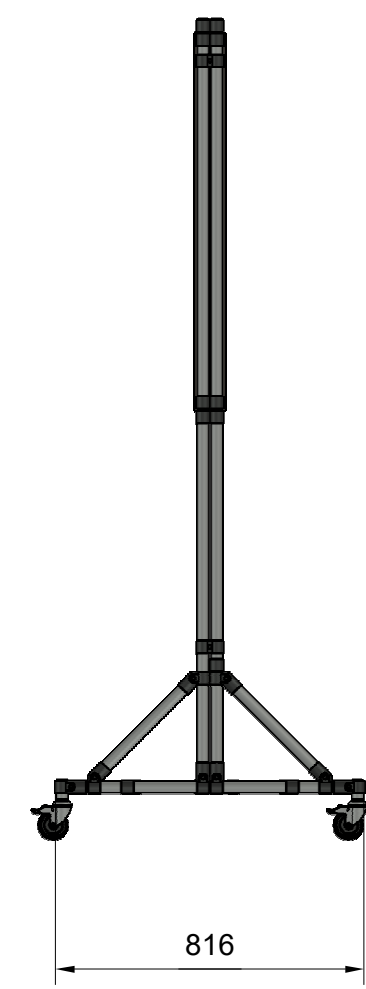
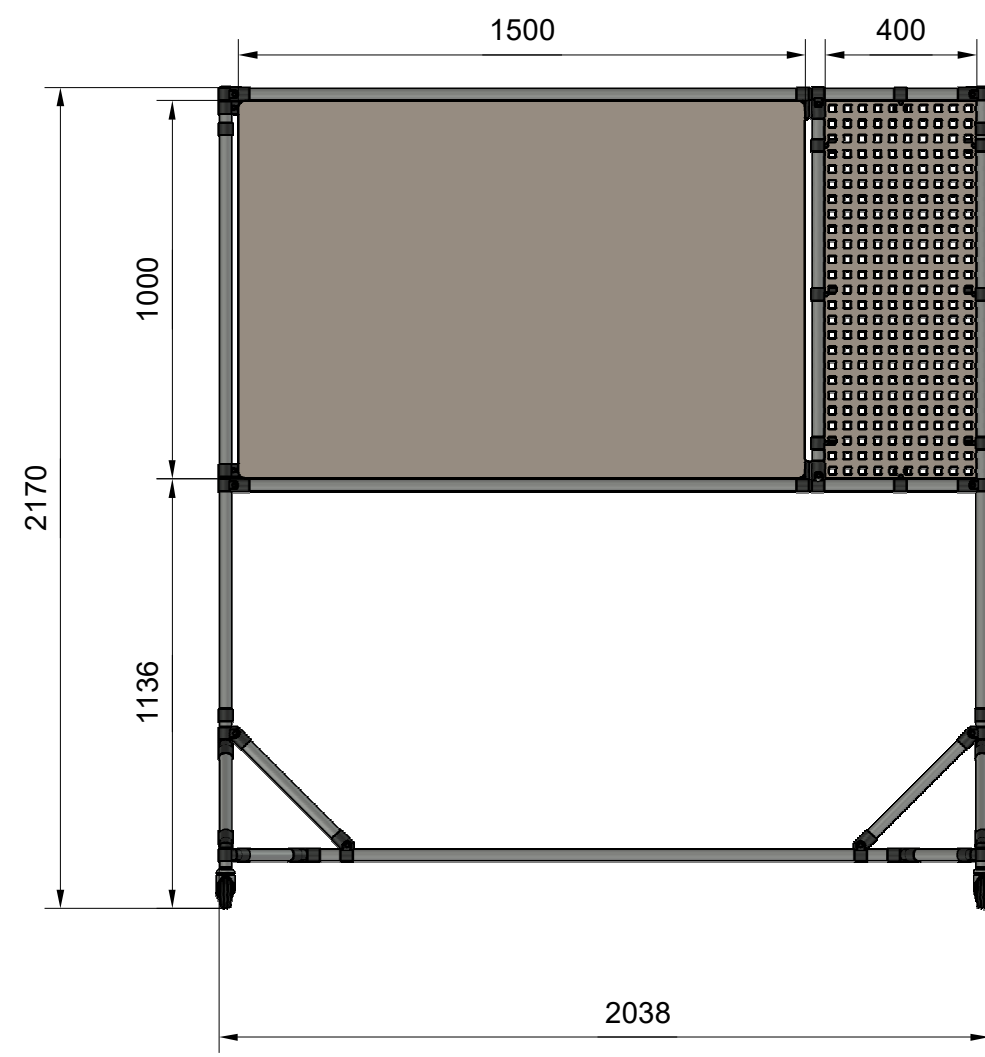
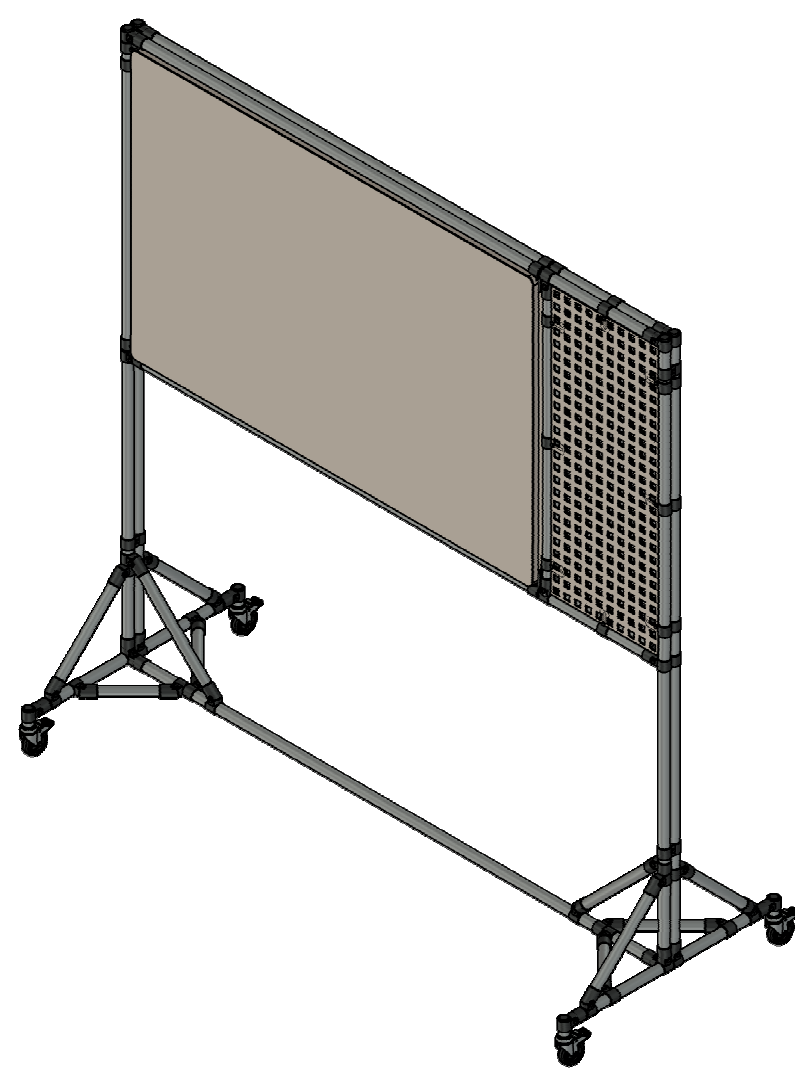
B

C


D

E

F



Workshop accuracies for general tolerances - Tolerances for length and angle dimensions; DIN ISO 2768-1-v
 -Machining details and finish classification to DIN ISO 1302

E	Total load capacity*: (Celková nosnosť:*)		Load capacity - floor*: (nosnosť na patro:*)		
	Scale	A3	Drawn Kempný	Checked	Dat. 25.04.2024
	Title Enprag				Sheet 1 of 1
	Title Tabule oboustranná				Rev. A00 Doc.Nr 24042531

This document is the sole property of Enprag s.r.o. and may not be copied, duplicated, used or given to third parties without the written permission from Enprag s.r.o. Misuse is subject to penalties and will be legally pursued

Tolerances for shape and condition:
 - DIN ISO 2768-2-K
 Tolerancing:
 - DIN 7167

1 2 3 4 5 6 7 8