

1 2 3 4 5 6 7 8

A

B

C

D

E

F

A

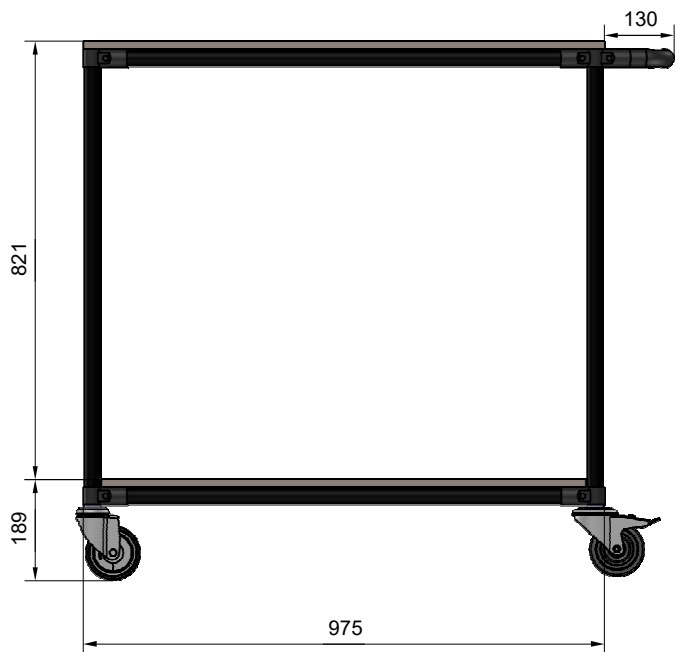
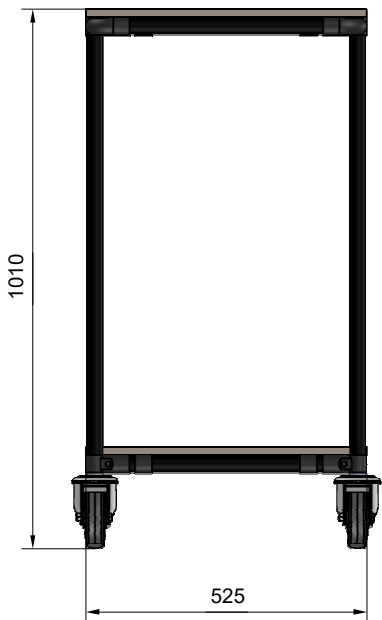
B

C

D

E

F



- DTDS kronospan
975x525x16mm
- 907x525x16mm
- 2x otočné kolečko bez brzdy 100mm
- 2x otočné kolečko s brzdou 100mm

| | | | | | |
|---|---|--------------|--|-----------------|------------------------|
| Workshop accuracies for general tolerances - Tolerances for length and angle dimensions; DIN ISO 2768-1-v | | | | | |
| -Machining details and finish classification to DIN ISO 1302 | | | | | |
| E | Total load capacity*: 200kg (Celková nosnosť:*) | | Load capacity - floor*: 100kg (nosnosť na patro:*) | | |
| | Scale | A3 | Drawn Kempný | Checked | Dat. 20.03.2024 |
| Title | | | Sheet 1 of 1 | Rev. A00 | |
| Title | | Vozík | | Doc.Nr | 24032030 |

This document is the sole property of Enprag s.r.o. and may not be copied, duplicated, used or given to third parties without the written permission from Enprag s.r.o. Misuse is subject to penalties and will be legally pursued

Tolerances for shape and condition:
- DIN ISO 2768-2-K
Tolerancing:
- DIN 7167



1 2 3 4 5 6 7 8