

1 2 3 4 5 6 7 8

A

B

C

D

E

F

A

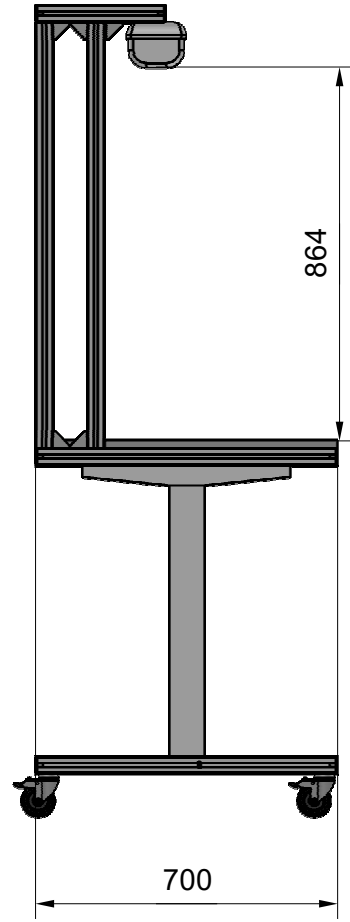
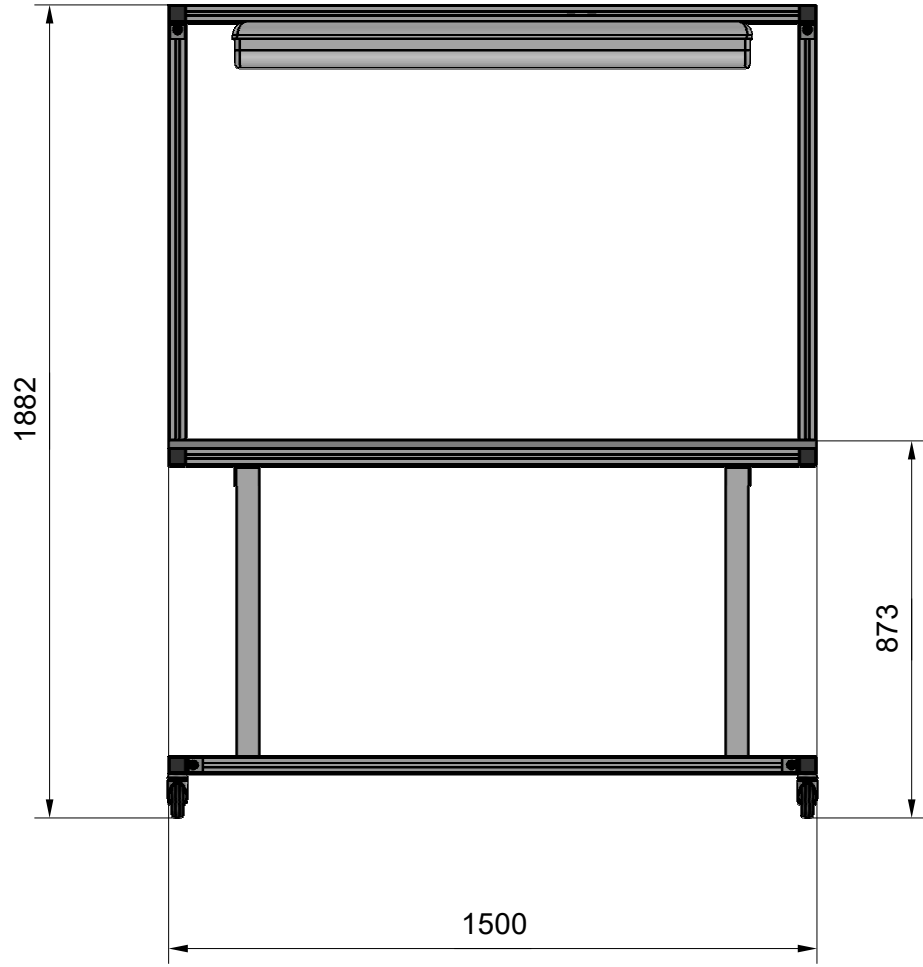
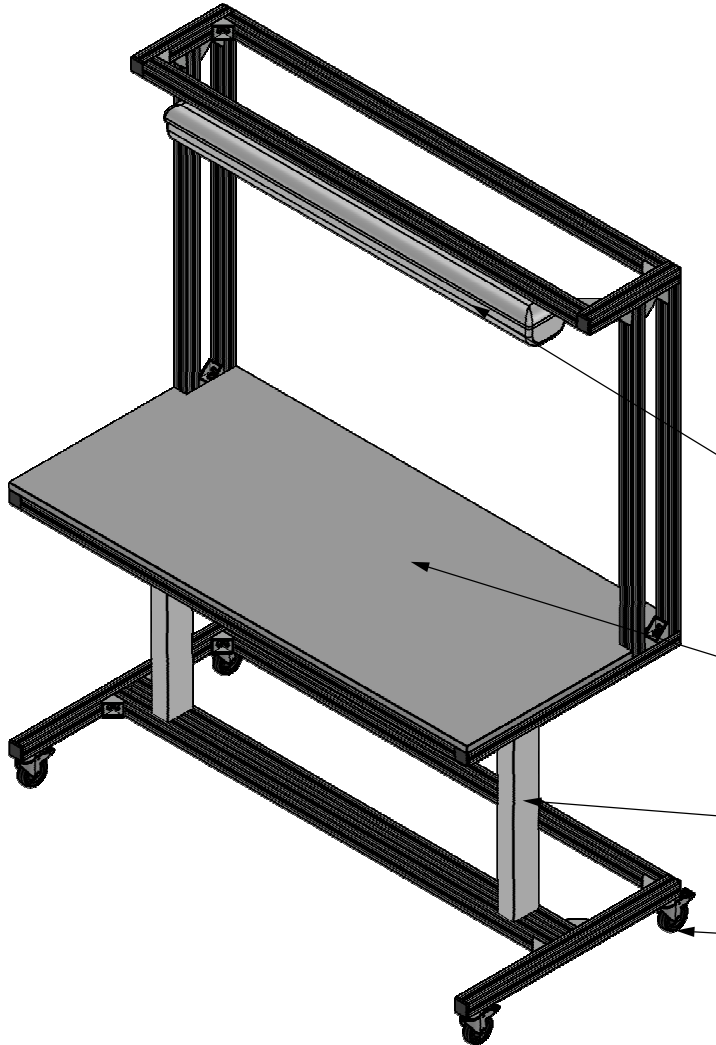
B

C

D

E

F



- LED světlo
120cm 40W
- lamino
1500x700x18mm
- výškově stavitelné nohy
873-1373mm
- 4x kolečko s brzdou
75mm

Workshop accuracies for general tolerances - Tolerances for length and angle dimensions; DIN ISO 2768-1-v
-Machining details and finish classification to DIN ISO 1302

E	Total load capacity*: (Celková nosnost:*) 70 kg		Load capacity - floor*: (nosnost na patro:*) 70 kg	
	Scale	A3	Drawn Kempný	Checked
Enprag	Title			Dat. 12.03.2024
	Title Výškově stavitelný stůl s kolečky			Sheet 1 of 1 Rev. A00
			Doc.Nr 24031232	

This document is the sole property of Enprag s.r.o. and may not be copied, duplicated, used or given to third parties without the written permission from Enprag s.r.o. Misuse is subject to penalties and will be legally pursued

Tolerances for shape and condition:
- DIN ISO 2768-2-K
Tolerancing:
- DIN 7167

1 2 3 4 5 6 7 8